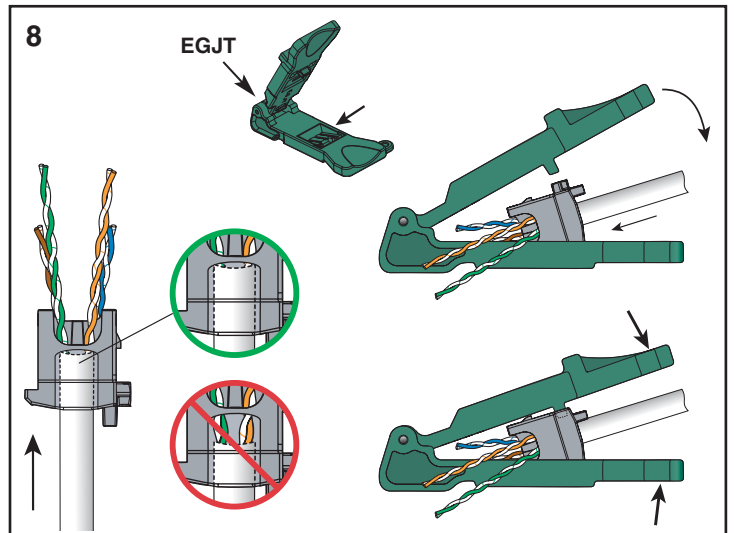
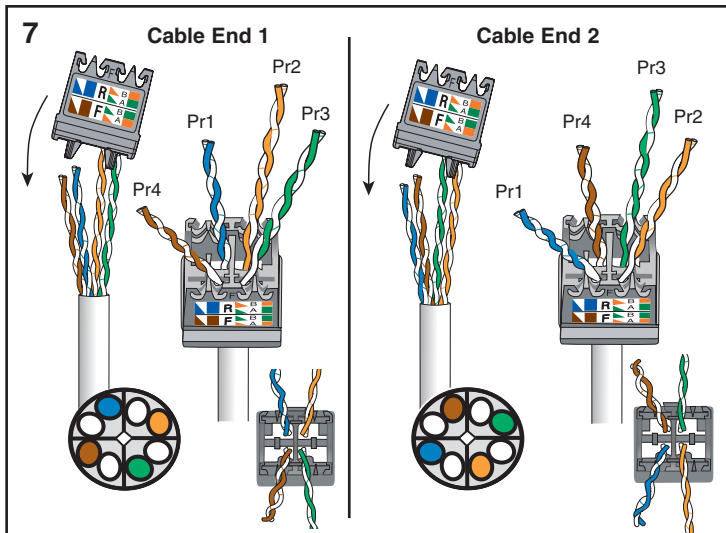
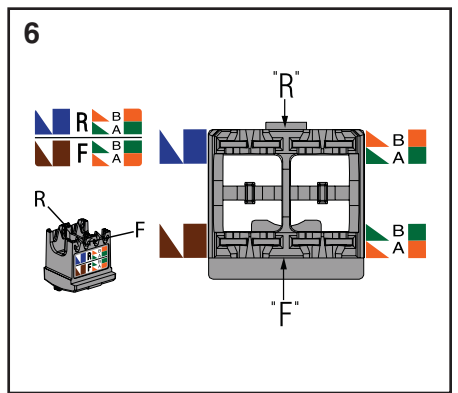
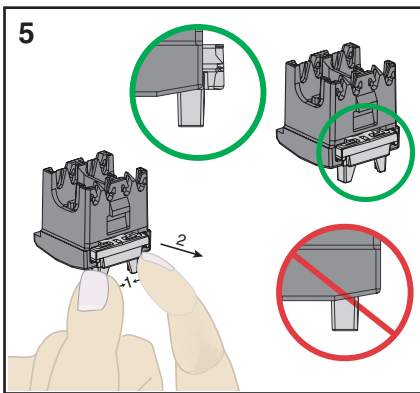
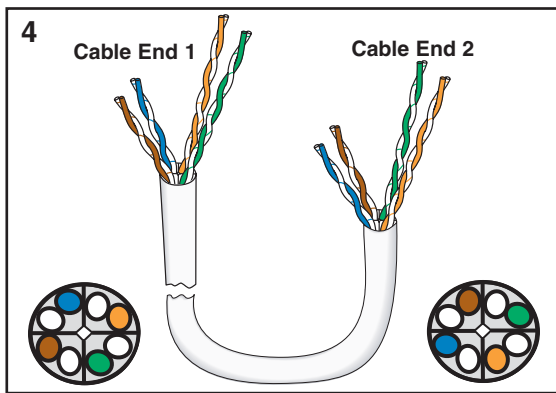
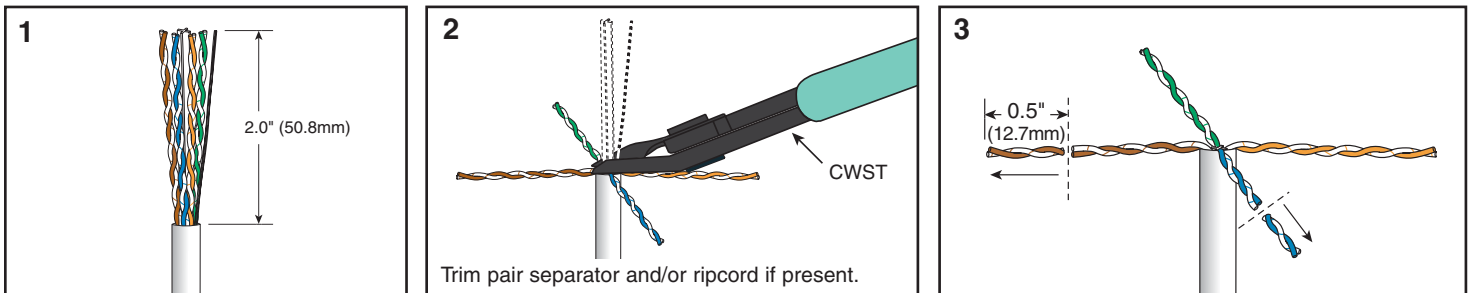


TERMINATION STEPS



Note: For bulk packaged TG Style Jack Modules add -24 to end of part number.

** Denotes color.

INSTALLATION INSTRUCTIONS PN403G

9

T568B
Cable End 1

Cable End 2

T568A
Cable End 1

Cable End 2

See note 4.

10

11

12

13

REMOVAL STEPS

1

2

3

Notes:

1. For specified performance, follow TIA/EIA 568-B installation guidelines.
2. Jack Modules can terminate 22-26 AWG solid or stranded IWC data cable with 0.062 (1.57 mm) maximum insulated conductor outside diameter.
3. Jack Modules may be re-terminated a minimum of 20 times.
4. On cable end 2 for A & B wiring and cable end 1 of A wiring, wrap the designated pairs around the proper center dividing post (A or B) and terminate in the proper location.
5. For technical and performance information, consult *PANDUIT* Technical Support.

As with all Communication Components, the following statements apply:

1. Never install communications wiring during a lightning storm.
2. Never install communications wiring in wet locations unless the jack is specifically designed for use in wet locations.
3. Never touch uninsulated communications wiring or terminals unless the communication line has been disconnected at the network interface.
4. Use caution when installing or modifying communication wiring.

For Instructions in Local Languages
and Technical Support:

http://www.panduit.com/resources/install_maintain.asp



www.panduit.com

E-mail:
cs@panduit.com

Fax:
(708) 444-6993