



MINI-COM[®] MODULAR PATCH PANELS

FOR USE WITH:
MINI-COM Modules

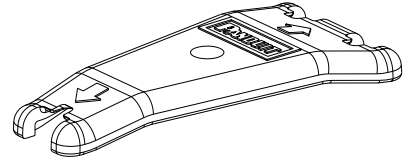
Part Numbers: CP16BL, CP24BL, CP48BL, CP72BL*, CP80BL, CP96BL, CP16WSBL, CP24WSBL, CP48WSBL, CPT

PN55F INSTALLATION INSTRUCTIONS

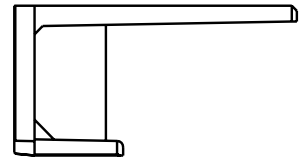
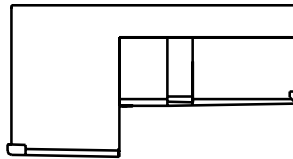
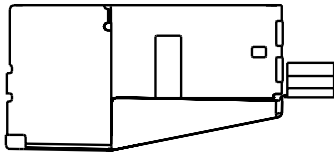
© Panduit Corp. 2001

Printed in U.S.A.

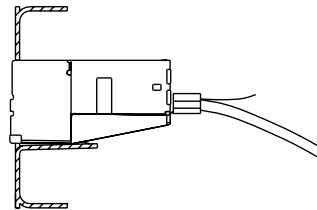
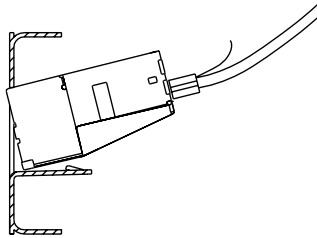
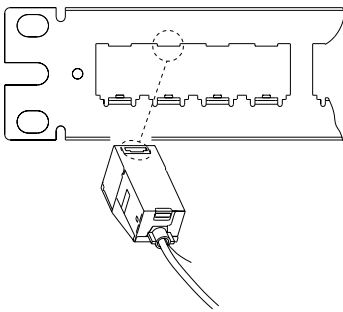
Components



Modules

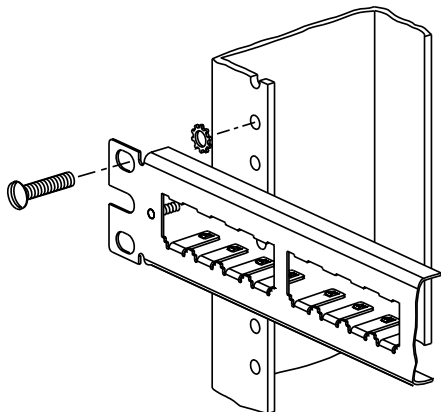


Installation

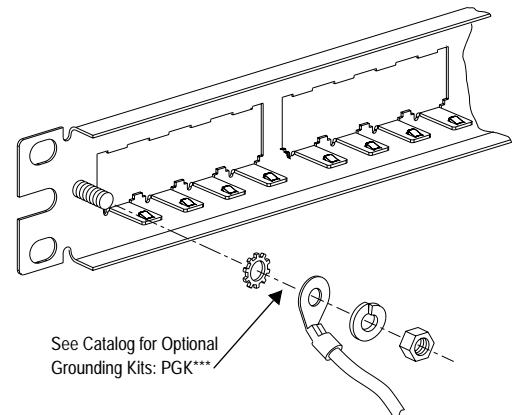


* REAR CABLE MANAGEMENT RECOMMENDED TO PROVIDE ADDITIONAL SUPPORT

Mounting

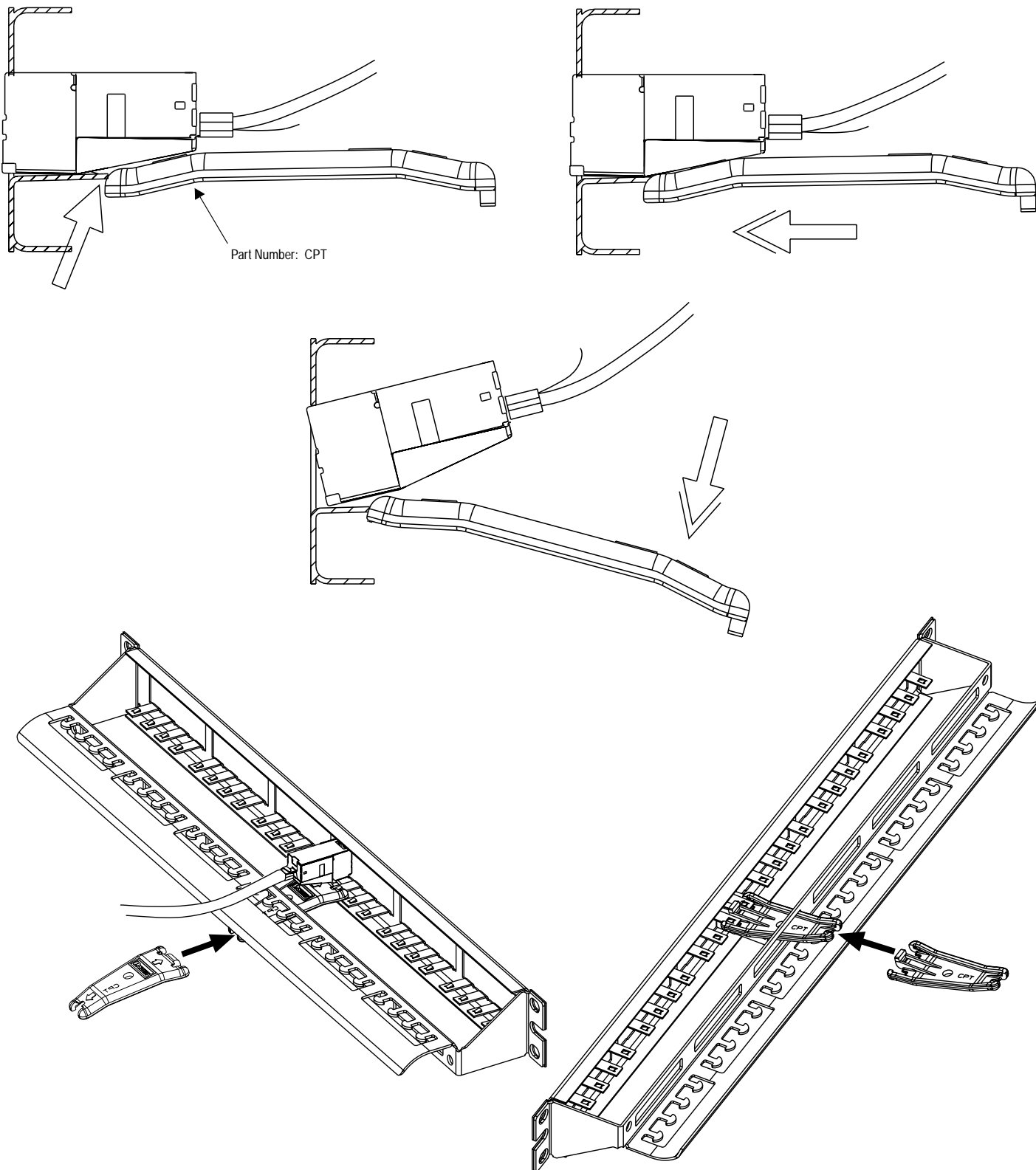


Grounding



FOR TECHNICAL SUPPORT CALL: 866-405-6654

Removal



WORLDWIDE SUBSIDIARIES AND SALES OFFICES



10500 West 167th Street
Orland Park, Illinois 60467

Technical Support: 866-405-6654
Fax: 708-444-6993

Web site: www.panduit.com/ngc
E-mail: netconnsupport@panduit.com