

NEW! NETKEY™ Category 6 Jack Module



DATA SHEET

The Category 6 / Class E eight-position industry standard keystone jack module accepts 22-26 AWG, 100 ohm, 4 pair unshielded cable. An industry standard 110 punchdown tool must be used to terminate the cable. The jack module is colour coded for T568A and T568B wiring schemes. A retention cap provides additional strain relief.



technical information

Category 6 / Class E component performance: Meets all TIA/EIA-568-B.2-1 Category 6 and ISO 11801 2nd Edition Class E component standard requirements at swept frequencies up to 250 MHz

FCC compliance: Meets FCC Part 68 Subpart F; contacts plated with 50 microinches of gold

IEC compliance and keystone standard interface: Meets IEC 60603-7

key features and benefits

100% performance tested: Confidence that each jack module delivers specified performance

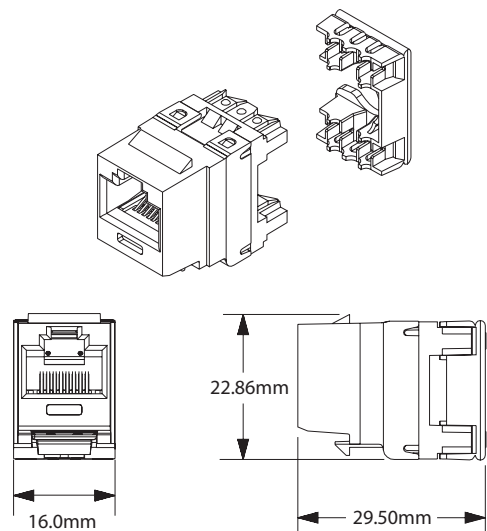
110 style punchdown termination: Utilises industry standard 110 termination style and includes a wire retention cap

Modularity: Universal keystone jack modules snap in and out of all NETKEY™ faceplates, modular keystone patch panels and keystone surface mount boxes.

applications

Applications include:

- Ethernet 10BASE-T, 100BASE-T (Fast Ethernet), 1000BASE-T (Gigabit Ethernet)
- Token Ring 4/16
- Voice/data systems
- Voice over internet protocol (VoIP)



Netkey Category 6 Electrical Performance	
Parameter	dB @ 250 MHz
NEXT	> 46.0
FEXT	> 35.1
Attenuation	< 0.32
Return Loss	> 16.0
LCL	> 20.0

NETKEY™ Network Components

NETKEY™ Jack Module

Standard Module: NK688M*

NETKEY™ Punchdown Panels

12 port, Vertical: NK6PPG12W
24 port, 1 RU: NK6PPG24
48 port, 2 RU: NK6PPG48

NETKEY™ Modular Faceplate Panels

12 port vertical, 89D 89D Wall Mount Bracket: NKFP12W
 WB89D

24 port Flat, 1 RU: NKFP24
48 port Flat, 1 RU: NKFP48

NETKEY™ Flush Mount Modular Panels

24 port Flat, 1 RU: NKPP24FM
48 port Flat, 1 RU: NKPP48FM

NETKEY™ Patch Cords

PVC (off white)

Length 1m: NK6PC1M**
Length 2m: NK6PC2M**
Length 3m: NK6PC3M**
Length 4m: NK6PC4M**
Length 5m: NK6PC5M**

Termination Tools

Jack termination tool: PDT110
Panel punchdown tool: PDT110
Punchdown base: NKSPB
Wire snipping tool: CWST
Wire stripping tool: CJAST

*To designate a colour, add suffix IW (Off White), EI (Electric Ivory), IG (Int'l Grey), WH (White), BL (Black), OR (Orange), RD (Red), BU (Blue), GR (Green), YL (Yellow),

**For cable colours other than Off White, add suffix BU (Blue), GR (Green), RD (Red), or YL (Yellow) to the end of the part number.



WORLDWIDE SUBSIDIARIES AND SALES OFFICES

PANDUIT CANADA
Markham, Ontario
cs-cdn@panduit.com
Phone: 800.777.3300

PANDUIT EUROPE LTD.
London, UK
cs-emea@panduit.com
Phone: 44.20.8601.7200

PANDUIT SINGAPORE PTE. LTD.
Republic of Singapore
cs-ap@panduit.com
Phone: 65.6379.6700

PANDUIT JAPAN
Tokyo, Japan
cs-japan@panduit.com
Phone: 81.3.3767.7011

PANDUIT LATIN AMERICA
Jalisco, Mexico
cs-la@panduit.com
Phone: 52.333.666.2501

PANDUIT AUSTRALIA PTY. LTD.
Victoria, Australia
cs-aus@panduit.com
Phone: 61.3.9794.9020



For more information
Visit us at www.panduit.com/emea
Contact us by email: cs-emea@panduit.com
or by phone: +44 (0) 20 8601 7200

©2006 *PANDUIT* Corp.
ALL RIGHTS RESERVED.
01/2006