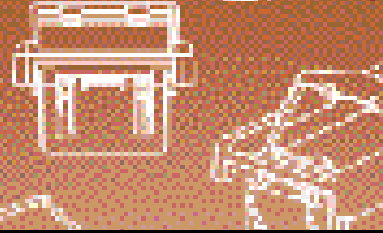


specifications

Modular Furniture Faceplate shall be 4 port density that snaps directly into TIA/EIA-569-A standard furniture communications openings. The faceplate accepts individual connector modules which are secured from the rear and when seated, are flush with the faceplate.



MINI-COM® Modular Furniture Faceplates

technical information

Faceplate dimensions:	CFFP4** - H x W x L = 1.70 x 2.77 x .40in. (43 x 70 x 10mm) CFFPL4** - H x W x L = 1.70 x 2.77 x .40in. (43 x 70 x 10mm) CFFPA2** - H x W x L = 1.70 x 2.77 x .40in. (43 x 70 x 10mm) MFFPE** - H x W x L = 2.19 x 3.69 x .50in. (56 x 94 x 13mm) CFFPHM4** - H x W x L = 2.08 x 3.64 x .40in. (53 x 92 x 10mm)
Mounting options:	CFFP4**, CFFPL4**, CFFPA2**, and MFFPE** fit industry standard standard TIA/EIA opening 1.345" to 1.405"H x 2.670"W, maximum thickness .90" CFFPHM4** fits openings 1.882" to 1.918"H x 2.982" to 3.030"W, maximum thickness .90"
Number of ports:	CFFP4**, CFFPL4**, and CFFPHM4** are flat 4 port versions and CFFPA2** is a 2 port sloped version
Color options:	IW=Off White, EI=Electric Ivory, IG=International Gray, WH=White, and BL=Black
Packaging:	1 per bag, 10 per box

key features and ...benefits

Modularity	Larger selection of cabling solutions
4 modules in a faceplate	High density solution
Industry standard size opening (CFFP4** & CFFPL4**)	Will fit 80% of furniture openings
Sloped solution (CFFPA2**)	Protects bend radius of copper and fiber cables
Extender adapter	Increases bend radius of cables for protection
Works with computer printable labels	Meets TIA/EIA 606 specifications
Available with optional label/label cover	Eases identification of ports

applications

The 4 and 2 module furniture faceplates (CFFP4**, CFFPL4**, and CFFPA2**) are used in work areas with modular furniture which has the TIA/EIA standard outlet opening either provided by the factory or punched out in the field. The angled 2 module furniture faceplate (CFFPA2**) offers copper and fiber bend radius protection. The MINI-COM HM furniture faceplate (CFFPHM4**) has been designed to work with a wide variety of Herman Miller furniture openings, such as Action Office® Series 2 and 3.

offers copper and fiber bend radius protection. The MINI-COM HM furniture faceplate (CFFPHM4**) has been designed to work with a wide variety of Herman Miller furniture openings, such as Action Office® Series 2 and 3.

Action Office® is a registered trademark of Herman Miller, Inc.

Visit our website at: www.panduit.com

Modular Furniture Faceplates

- 4 Module Space:** CFFP4**
- 4 Module Space with label:** CFFPL4**
- 2 Module Space Angled:** CFFPA2**
- 4 Module Space Herman Miller:** CFFPHM4**

Snap-On Modular Furniture Faceplate Extender

Extender: MFFPE**

Punch Die

Punch Die: MFFD
 (For use with plastic or metal furniture. Requires hydraulic driver such as a GreenLee #7804SB.)

Dot-Matrix and Laser Printer

Labels: CPPLF-5
 CPPLF-5††

PAN-QUICK™ LS3E Hand Held Printer

Labels: L3CPLFWH
 L3CPLFCL

****Substitute:** IW = Off White
 EI = Electrical Ivory
 IG = International Gray
 WH = White
 BL = Black

††Substitute: BU = Blue
 EI = Electrical Ivory
 GR = Green
 IG = International Gray
 OR = Orange
 PR = Purple
 RD = Red
 YL = Yellow

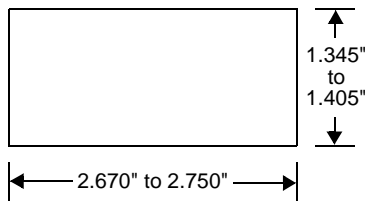
installer tip

For better bend radius control use the extender faceplate (MFFPE**) with the 4 module faceplate (CFFP4** & CFFPL4**) only.

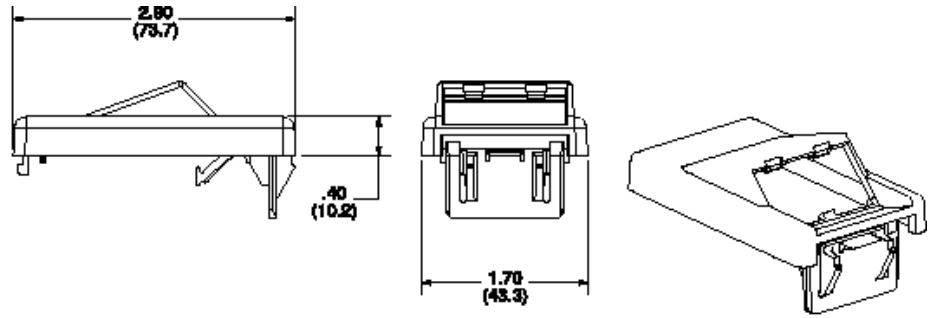
MINI-COM® Modular Furniture Faceplates

2 Module Space Angled

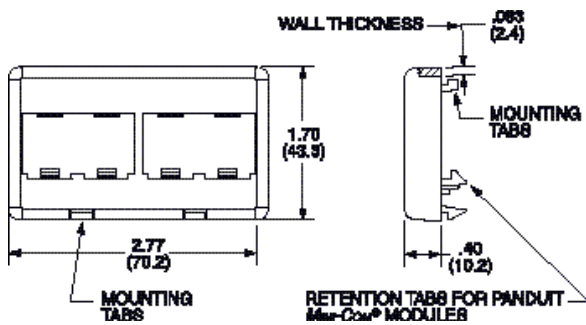
Panel Cutout Requirements



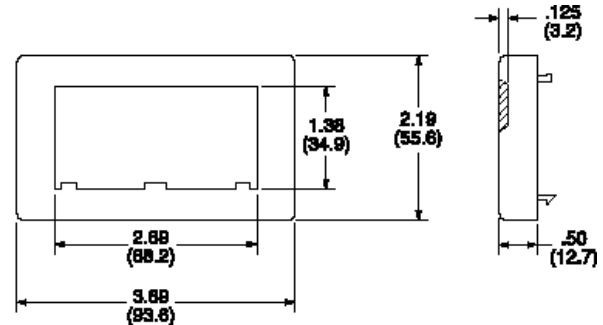
Maximum Panel Thickness: .090"
For CFFP4**, CFFPL4**, & CFFPA2**



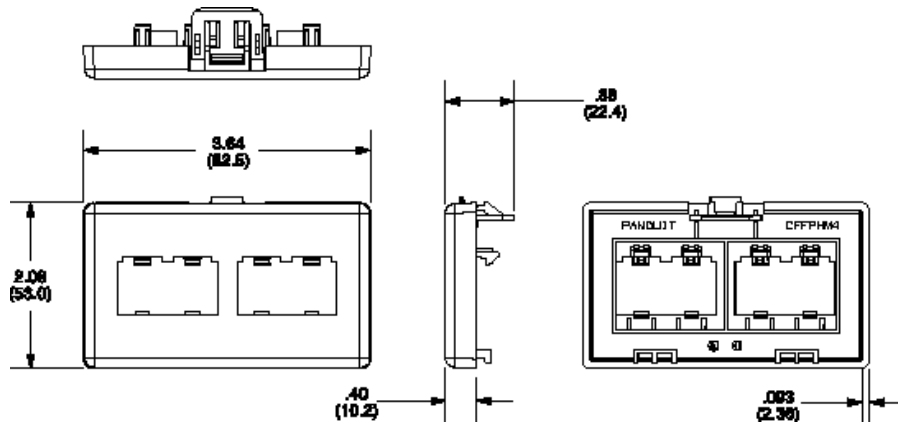
4 Module Space



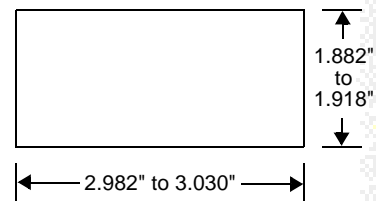
Extender



4 Module Space Herman Miller



Panel Cutout Requirements



Dimensions are in inches (Dimensions in parentheses are metric)

Our products are warranted to be free from defects in material and workmanship at the time of sale but our obligation under this warranty is limited to the replacement of any product proved to be defective within 6 months (for product) or 90 days (for tools) from the date of delivery. Tool warranty is void if Panduit tools are modified, altered or misused in any way. Use of Panduit tooling with any product other than the specified Panduit products for which the tool was designed, constitutes misuse. Before using, user shall determine the suitability of the product for his intended use and user assumes all risk and liability whatsoever in connection therewith.

This warranty is made in lieu of and excludes all other warranties, expressed or implied. THE IMPLIED WARRANTIES OF MERCHANTABILITY AND FITNESS FOR A PARTICULAR USE ARE SPECIFICALLY EXCLUDED. Neither seller nor manufacturer shall be liable for any other injury, loss or damage, whether direct or consequential, arising out of the use of, or the inability to use, the product. The information contained in this literature is based on our experience to date and is believed to be reliable. It is intended as a guide for use by persons having technical skill at their own discretion and risk. We do not guarantee favorable results or assume any liability in connection with its use. Dimensions contained herein are for reference purposes only. For specific dimensional requirements consult the factory. This publication is not to be taken as a license to operate under, or a recommendation to infringe any existing patents. This supersedes and voids all previous literature, etc.



WORLD HEADQUARTERS
PANDUIT CORP.
Tinley Park, Illinois, USA
Phone: 888-506-5400, ext. 6914
708-532-1800, ext. 6914
Fax: 708-460-2897
Email: info@panduit.com
Internet: http://www.panduit.com

PANDUIT CANADA
Div. of PANDUIT CORP.
Markham, Ontario
Phone: 800-387-9689

EUROPEAN HEADQUARTERS
PANDUIT EUROPE LTD.
London, UK
Phone: 181-601-7200

ASIAN HEADQUARTERS
PANDUIT SINGAPORE PTE. LTD.
Republic of Singapore
Phone: 861-3122

PANDUIT MEXICO/ LATIN AMERICA &
CARIBBEAN
Phone: (52) 3 666-2501

**For Pricing and Further Information –
Contact your local authorized
PANDUIT PAN-NET™ Distributor or Sales Office**