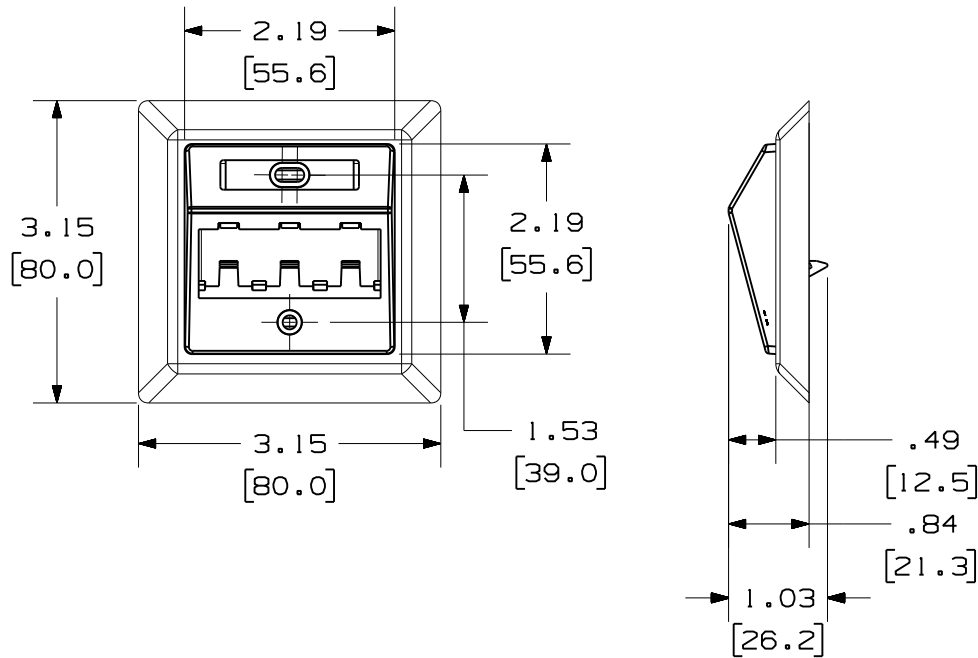


THIS COPY IS PROVIDED ON A RESTRICTED BASIS AND IS NOT TO BE USED IN ANY WAY DETRIMENTAL TO THE INTERESTS OF PANDUIT CORP.

PANDUIT P/N	WEIGHT
C2P**Y	1.93 LB/10 PCS. (874.1 g/10 PCS.)

NOTES:

- SEE CURRENT CATALOG FOR ADDITIONAL PART NUMBER SUFFIXES TO INDICATE COLOR AND OR PACKAGE QUANTITY.
- SEE CATALOG FOR COMPLETE LIST OF PARTS APPLICABLE FOR USE WITH THIS PART.
- DIMENSIONS IN PARENTHESES ARE IN METRIC.
- KIT INCLUDES:
  - 1- SUPPORT RING
  - 1- SCREW KIT
  - 1- LABEL/COVER
  - 1- 55mm X 55mm FACEPLATE
  - 1- 80mm X 80mm BEZEL
  - 2- CJ588\*\*Y
  - 1- CMB\*\*



PART NUMBER	C2P**Y	PRODUCT SPEC/PKG SPEC	N/A
I.I. NUMBER	N/A	WORK INSTRUCTION	N/A

TITLE	MINI-COM 3 POSITION 80mm X 80mm SLOPED FACEPLATE KIT CUSTOMER DRAWING
ITEM REVISION NAME	M02479GJ/00.PRT
DATASET FILE NAME	M02479GJ_DC168/00A.PRT

UNLESS OTHERWISE SPECIFIED, DIMENSIONAL TOLERANCES ARE: IN (mm)	MATERIAL:
.x : .1 ( 2.54 ) .xx : .01 ( .25 )	SUPPORT RING: ZINC PLATED C.R.S. 55mm X 55mm FACEPLATE: ABS 80mm X 80mm BEZEL: ABS

THIRD ANGLE PROJECTION	DRAWING NUMBER:
	02479-168

REV	DATE	BY	CHK	APR	DESCRIPTION	ECN
1	10/16/12	BJN	JSP	JSP	A. CORRECTED 50mm X 50mm FACEPLATE TO 55mm X 55mm FACEPLATE	02479-168
R	4-26-06	JSP	MJD	MJD	RELEASED TO PRODUCTION	02479-168

REV	DATE	BY	CHK	APR	DESCRIPTION	ECN	DRAWN BY	DATE	CHK	SCALE	SHT 1 OF 1	SIZE
							BJN	4-26-06	MJD	NONE		A

