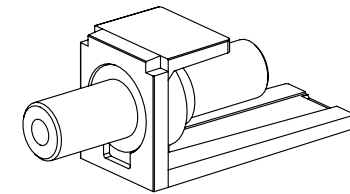
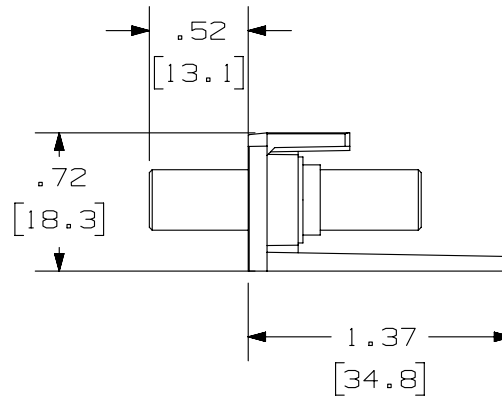
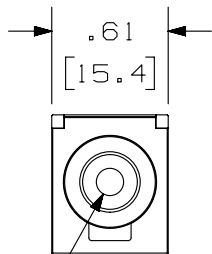
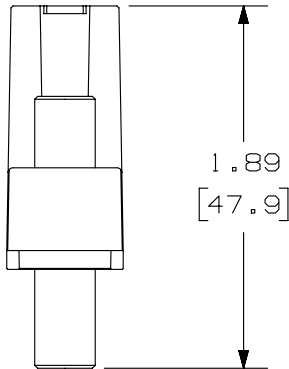


THIS COPY IS PROVIDED ON A RESTRICTED BASIS AND IS NOT TO BE USED IN ANY WAY DETRIMENTAL TO THE INTERESTS OF PANDUIT CORP.

PANDUIT P/N	WEIGHT
CM35MSC**Y	.08 LB/10 PCS (37.5 g/10 PCS)

NOTES:

- SEE CURRENT CATALOG FOR ADDITIONAL PART NUMBER SUFFIXES TO INDICATE COLOR AND OR PACKAGE QUANTITY.
- SEE CATALOG FOR COMPLETE LIST OF PARTS APPLICABLE FOR USE WITH THIS PART.
- DIMENSIONS IN PARENTHESSES ARE IN METRIC.
- PART INCLUDES:
1- MODULE BASE
1- 3.5mm (1/8") HEAD PHONE JACK COUPLER (ASSEMBLED TO MODULE BASE)



PART NUMBER		CM35MSC**Y	
TITLE		MINI-COM 3.5mm (1/8") HEAD PHONE JACK COUPLER MODULE	
		CUSTOMER DRAWING	
ITEM REVISION NAME		M02479HF/00	
DATASET FILE NAME		M02479HF_DC190/00B	
UNLESS OTHERWISE SPECIFIED, DIMENSIONAL TOLERANCES ARE: IN [mm]		MATERIAL:	
.x ± .03 [.8]		MODULE: ABS	
.xxx ± .010 [.3]		CONNECTOR: ZINC PLATED	
ANGLES ±		DRAWING NUMBER:	
		02479-190	
DRAWN BY	DATE	CHK	SCALE
JSP	4-25-06	MJD	NONE
SHT 1 OF 1		SIZE	
		A	

REV	DATE	BY	CHK	APR	DESCRIPTION	ECN
1	4/30/14	JSP	REFR	MMR	A. REVISED DRAWING TITLE BLOCK.	02479-190
R	4-25-06	JSP	MJD	MJD	RELEASED TO PRODUCTION	02479-190

D10100DA/14