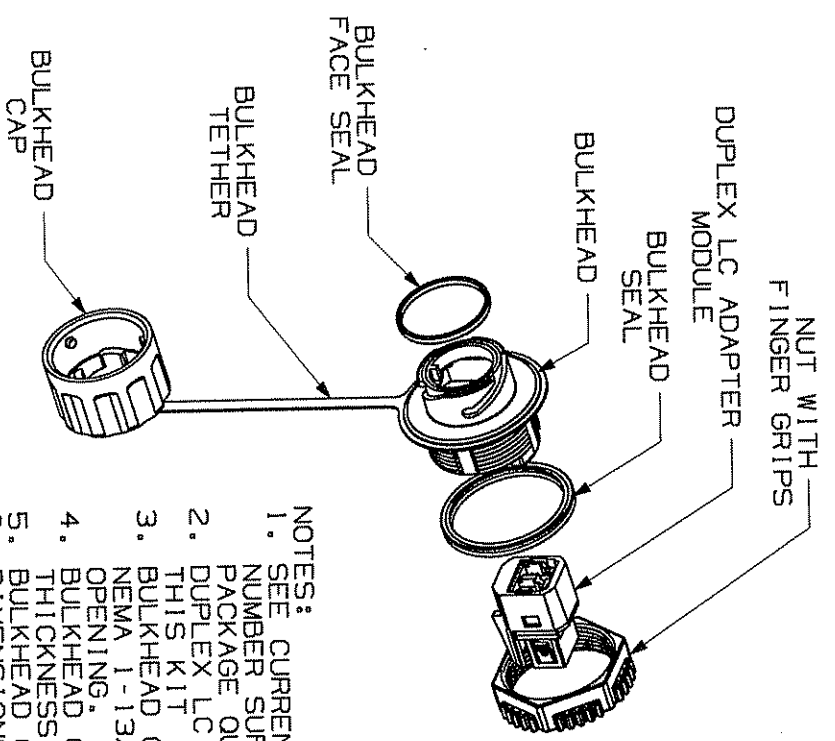
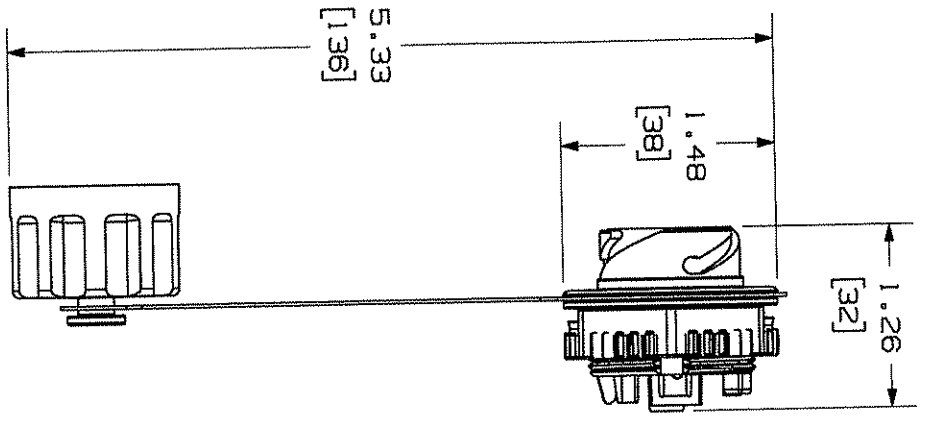


THIS COPY IS PROVIDED ON A RESTRICTED BASIS AND IS NOT TO BE USED IN ANY WAY DETRIMENTAL TO THE INTERESTS OF PANDUIT CORP.



- NOTES:
1. SEE CURRENT CATALOG FOR ADDITIONAL PART NUMBER SUFFIXES TO INDICATE COLOR AND/OR PACKAGE QUANTITY.
 2. DUPLEX LC ADAPTER MODULE SUPPLIED WITH THIS KIT IS FOCIS 10 COMPATIBLE.
 3. BULKHEAD CONNECTOR MOUNTS IN COMMON NEMA 1-13/64 (30.5) DIAMETER ENCLOSURE OPENING.
 4. BULKHEAD CONNECTOR MOUNTS IN PANEL THICKNESS OF .035 TO .135 (0.8 TO 3.4) BULKHEAD CONNECTOR SEALS TO 1P67.
 5. DIMENSIONS IN BRACKETS ARE METRIC (1 mm).

INDUSTRIAL NET LC FIBER BULKHEAD
CUSTOMER DRAWING

PANDUIT™
CORP.
TINLEY PARK, ILL 60477

ALL DIMENSIONS ARE GIVEN IN INCHES UNLESS OTHERWISE SPECIFIED.
DIMENSIONAL TOLERANCES ARE:
(.XX) ± .03 (0.8) ANGLES
(.XXX) ± .010 (0.3)

REVIEW DRAWING NUMBERS

DRAWING FILENAME: MQ2134AG.DC.00A.prt
SCALE: NONE

PART NO.: 1AEF7JMA

DATE	11-09-06
DRW'D BY	MM
SCALE	NONE
DRAWING NO.	02134-18
SIZE	A

REV	DATE	BY	CHK	DESCRIPTION	ECN	R	CUST	SUP	OTH
R	11-09-06	MC	MM	RELEASED TO PRODUCTION	02134-18		MM		