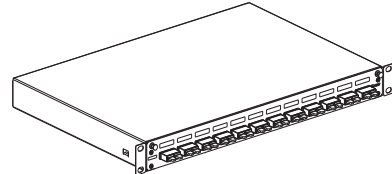
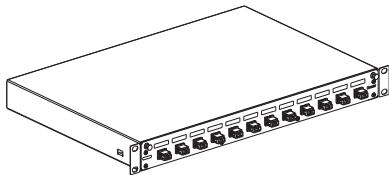


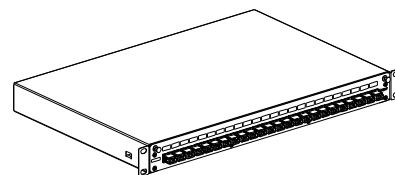
NKFD1W6**DSC



NKFD1W12**DSC



NKFD1W12**DLC



NKFD1W24**DLC

Accessory Kit

(4) #12-24 x 1/2" Screws, (4) M6 Screws, (1) Fiber Caution Label, (1) Laser Warning Label, (2) Slack Spools and (1) PG11 Gland.

** Denotes adapter color/fiber type: EI (Electric Ivory/OM1 62.5/125µm), BL (Black/OM2 50/125µm), AQ (Aqua/OM3 10Gig 50/125µm), or BU (Blue/OS1/OS2 9/125µm).

Knockouts for PG11 Glands
(2 places)
20mm Diameter

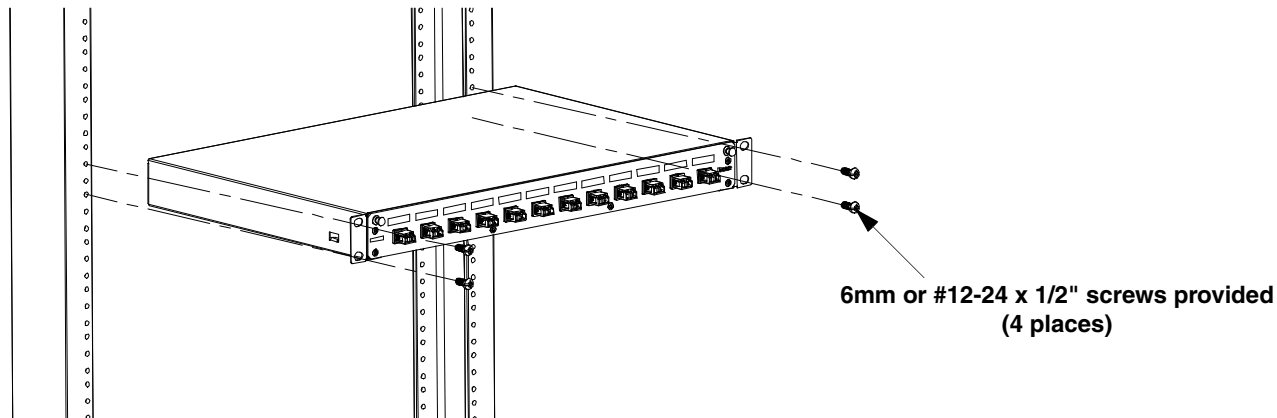
Knockouts for Blown Fiber Adapters
(4 places)

Knockouts for Rubber Grommets
(2 places)
30mm Diameter

Drawer Release
Latches

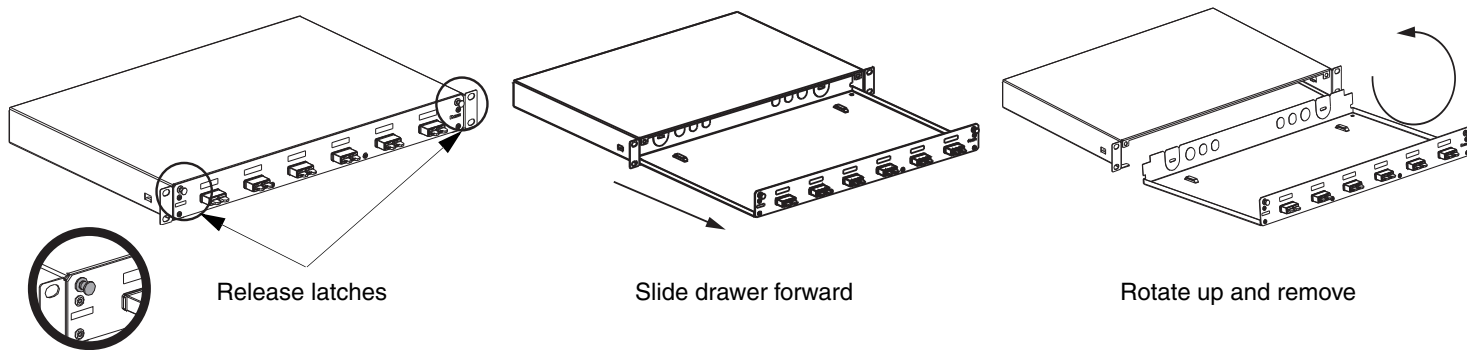
Provisions for Port
Identification Labeling

Mounting

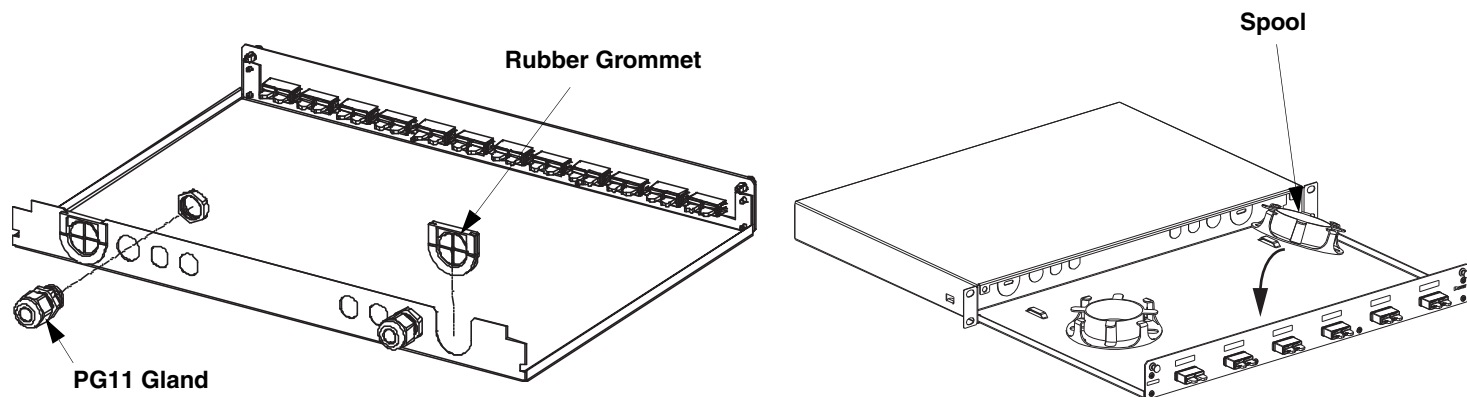


Mount the enclosure to rack using four (4) 6mm or #12-24 x 1/2" screws provided.

Drawer Opening and Removal



Grommet, Gland, and Spool Installation



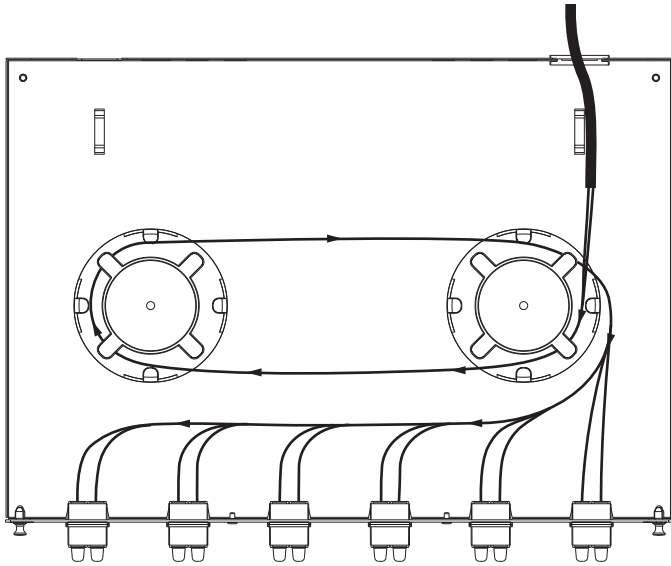
Remove knockouts and insert grommets and/or glands as shown above.

Remove the liner from the tape underneath each fiber management spool. Place the fiber management spools inside the enclosure as shown above.

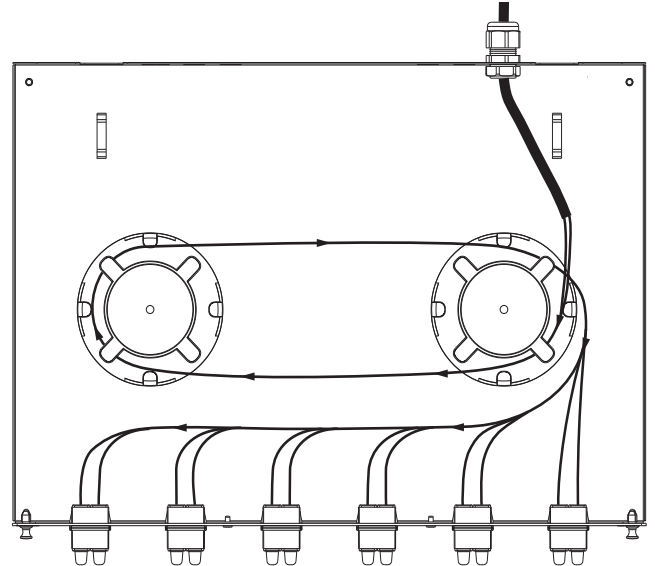
Note: Do not install spools if splicing with Fiber Optic Splice Module (FOSM).

Typical Cable Routing Options

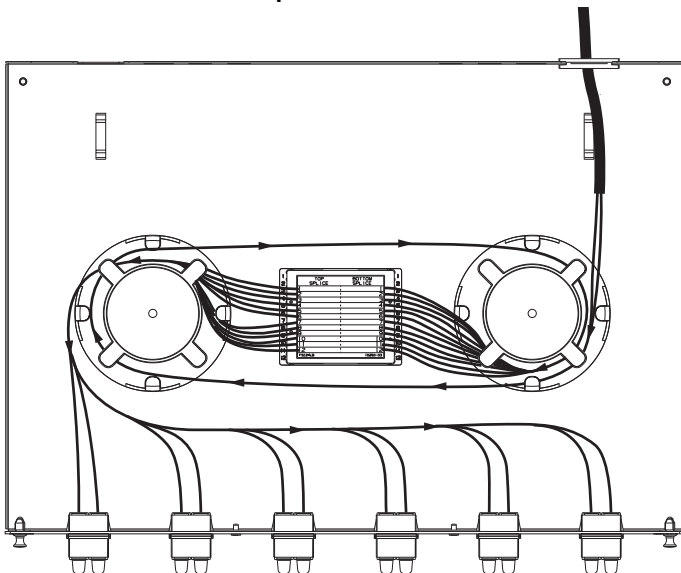
Grommet with Pre-Terminated Trunk or Field Termination



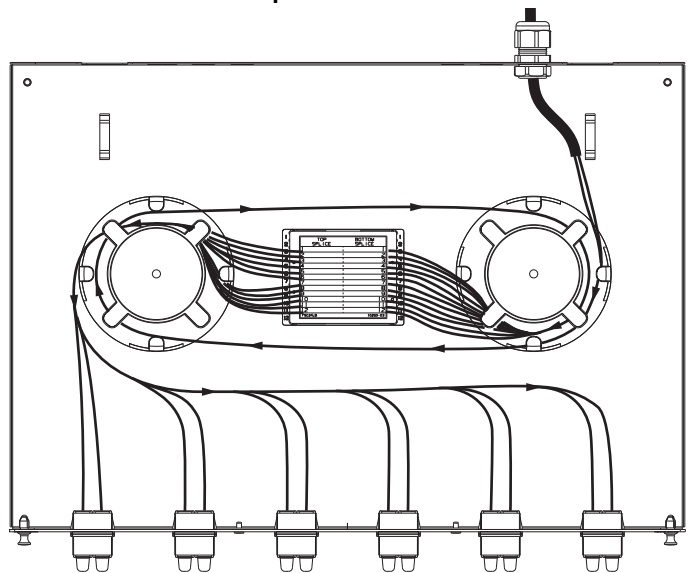
PG11 Gland with Pre-Terminated Trunk or Field Termination



Grommet with splicing using the FSC24 Splice Sleeve Holder



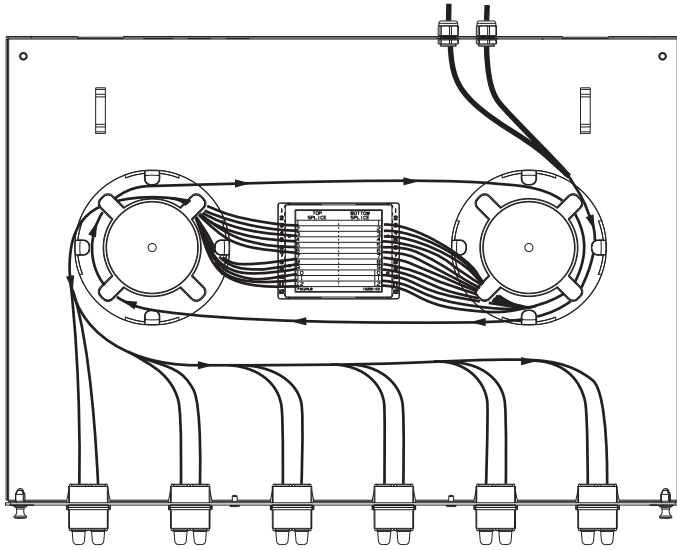
PG11 Gland with splicing using the FSC24 Splice Sleeve Holder



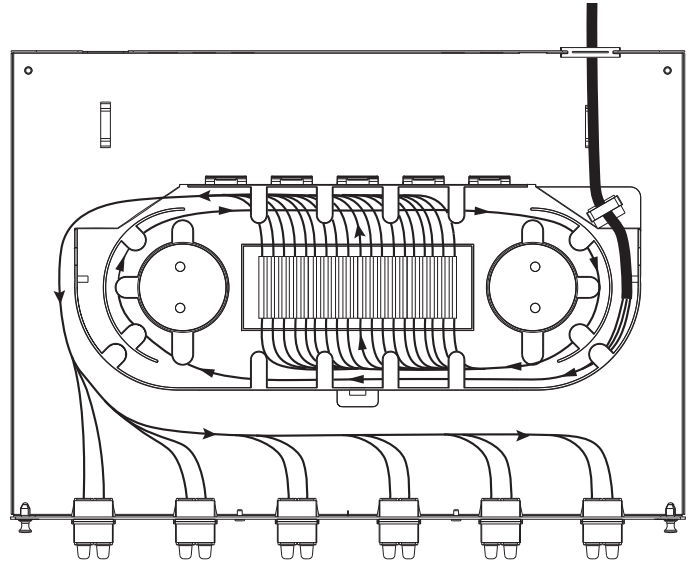
Typical Cable Routing Options (continued)

FOSM installation: Place double stick tape underneath FOSM and locate the FOSM in the enclosure as shown.

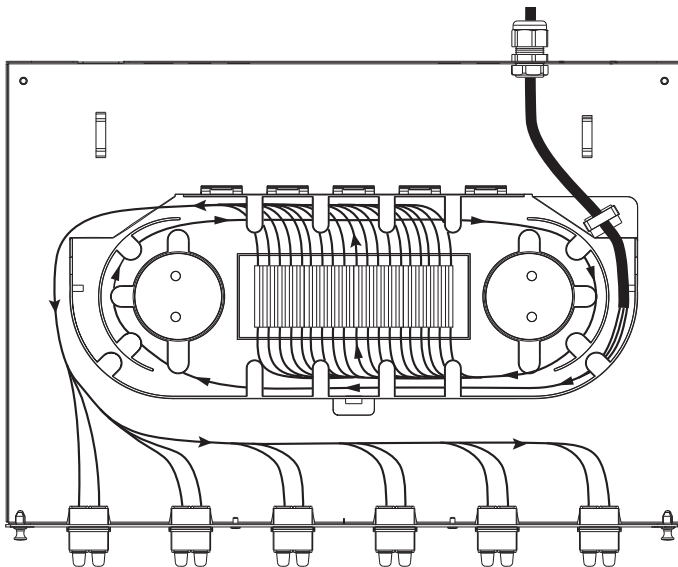
Blown Fiber with splicing using the FSC24 Splice Holder



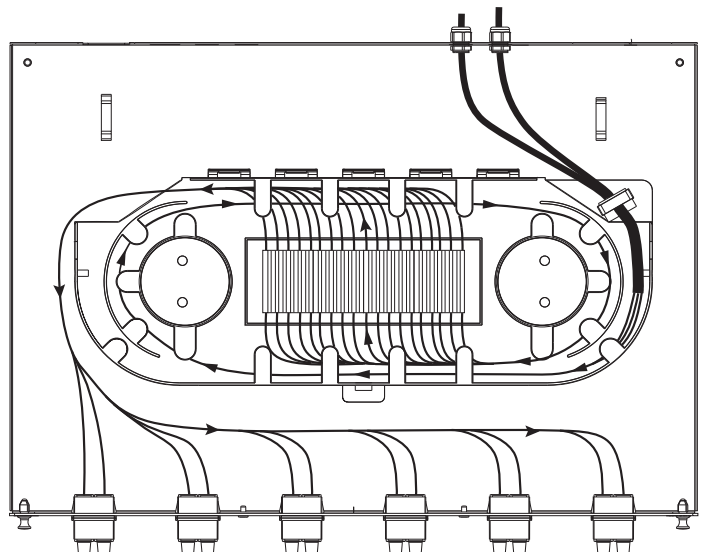
Grommet with splicing using the Fiber Optic Splice Module (FOSM)



PG11 Gland with splicing using the Fiber Optic Splice Module (FOSM)



Blown Fiber with fusion splicing using the Fiber Optic Splice Module (FOSM)



For Instructions in Local Languages
and Technical Support:

www.panduit.com/resources/install_maintain.asp

PANDUIT

www.panduit.com

E-mail:
techsupport@panduit.com

Phone:
866-405-6654