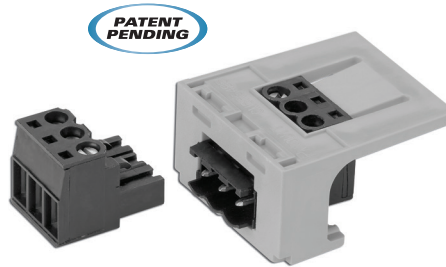


Mini-Com® BAS Connector Modules

specifications

Industry standard field bus connector shall terminate up to three 18 – 22 AWG connectors or shielded/unshielded cable and shall terminate with the use of a screwdriver. Connector shall mount in patch panels and/or wall plates. The plug end shall be removable from the socket module for disconnection, diagnostic, and termination purposes.



technical information

| | |
|---|--|
| AWG conductor: | 22 AWG min/18 AWG max |
| Nominal current rating: | 10 A |
| Contact resistance: | 4.5 mOhms |
| Voltage rating: | 300 V max |
| Electric shock protection to DIN VDE 0470: | IP 20 (safe from finger touch) |
| Stripping: | 7mm |
| Wire end ferrule, DIN 46 228/1: | .2mm ² min/2.5mm ² max |
| Clamping screw: | M 2.5 |
| Tightening torque: | 0.4 Nm min/0.5 Nm max |
| Pitch (mm/In.): | .20"/5.08mm |
| Colors: | Connector (Plug and Socket) – Black, Module – Orange, Black, Blue, Green, Red or Yellow |

key features and benefits

| | |
|------------------------------------|--|
| Modularity | Dual module snaps in and out of all Panduit® Mini-Com® faceplates, modular patch panels, and surface mount boxes for fast moves, adds, and changes |
| Screw terminals | No punchdown tool required; terminates with screwdriver (SD 0.6 x 3.5 DIN 5264) |
| Applications | <ul style="list-style-type: none">• LON• BACnet MSTP• Modbus* RTU• Low voltage pass through |
| Zone application | Provides a common demarcation point for BAS networks and low voltage power for building systems |
| Connector (Plug and Socket) | Ease of connection and disconnection of power gives the ability to segment networks |

applications

The Mini-Com® BAS Connector Module supports deployment of field bus networks and low voltage system wiring within the IT network pathways. The module creates a demarcation point for the field bus cabling to be “patched” along with other building networks (Ethernet, Video, Audio) within the zone enclosure from the controller out to the

endpoints. This allows for a smooth transition to IP Enabled devices as they are deployed. The Mini-Com® BAS Connector Module easily integrates with other Panduit offerings such as zone cabling, DPoE™, jack modules and copper/fiber cabling systems to leverage a common network infrastructure.

*Modbus is a registered trademark of Modbus Organization, Inc.

Mini-Com® BAS Connector Module

| | |
|-----------------------|------------|
| Orange module: | CMBRS485OR |
| Black module: | CMBRS485BL |
| Blue module: | CMBRS485BU |
| Green module: | CMBRS485GR |
| Red module: | CMBRS485RD |
| Yellow module: | CMBRS485YL |

PanZone® Active Zone Cabling Box

| | |
|--------------------|--------|
| In-ceiling: | PZICEA |
|--------------------|--------|

Mini-Com® Modular Faceplate Patch Panel with Labels

| | |
|-----------------|------------|
| 24 port: | CPPL24WBLY |
| 48 port: | CPPL48WBLY |

Insulated Ferrules – Single Wire DIN End Sleeve

| | |
|----------------------|-----------|
| 22 AWG white: | FSD75-6-D |
| 20 AWG gray: | FSD76-6-D |
| 18 AWG red: | FSD77-6-D |

Ferrule Crimping Tools

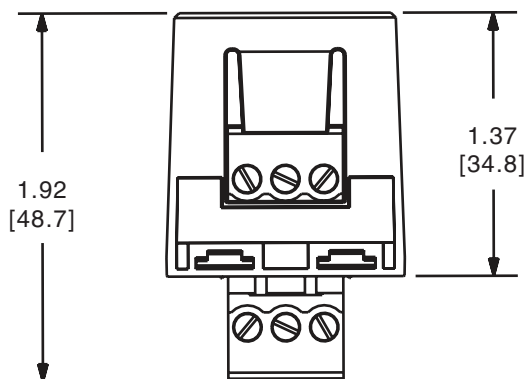
| | |
|----------------------------|---------|
| Ferrule end sleeve: | CT-1123 |
|----------------------------|---------|

Mini-Com® BAS Connector Module

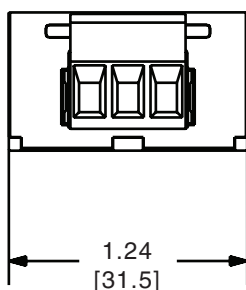
Mini-Com® BAS Connector Module

| Electrical Performance | |
|------------------------|-------------|
| Parameters | Performance |
| Nominal Current Rating | 10 A |
| Volume Resistance | 4.5 mOhms |
| Voltage | 300 V Max |
| Cable Gauge | 18 – 22 AWG |

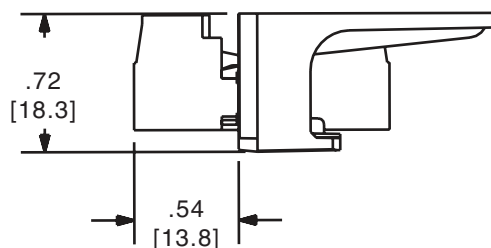
Top View



Front View



Side View



Dimensions are in inches. [Dimensions in brackets are metric].

WORLDWIDE SUBSIDIARIES AND SALES OFFICES

PANDUIT CANADA
Markham, Ontario
cs-cdn@panduit.com
Phone: 800.777.3300

PANDUIT EUROPE LTD.
London, UK
cs-emea@panduit.com
Phone: 44.20.8601.7200

PANDUIT SINGAPORE PTE. LTD.
Republic of Singapore
cs-ap@panduit.com
Phone: 65.6305.7575

PANDUIT JAPAN
Tokyo, Japan
cs-japan@panduit.com
Phone: 81.3.6863.6000

PANDUIT LATIN AMERICA
Guadalajara, Mexico
cs-la@panduit.com
Phone: 52.33.3777.6000

PANDUIT AUSTRALIA PTY. LTD.
Victoria, Australia
cs-aus@panduit.com
Phone: 61.3.9794.9020

For a copy of Panduit product warranties, log on to www.panduit.com/warranty

For more information

Visit us at www.panduit.com

Contact Customer Service by email: cs@panduit.com
or by phone: 800.777.3300

PANDUIT®

©2016 Panduit Corp.
ALL RIGHTS RESERVED.
Printed in the U.S.A.
D-COSP377-WW-ENG
Replaces WW-COSP60
2016-8-24