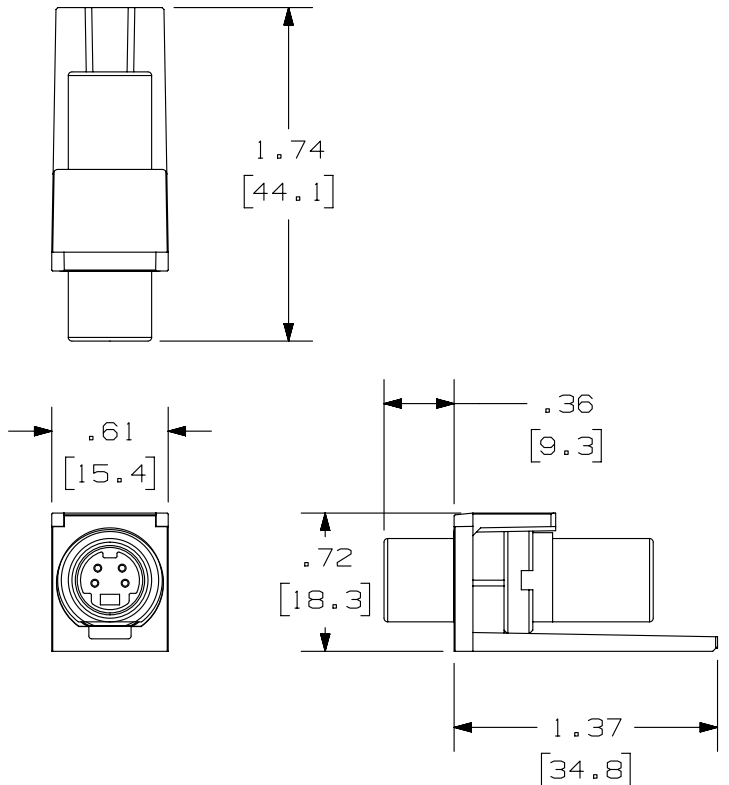


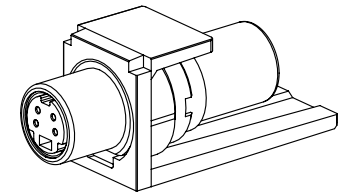
THIS COPY IS PROVIDED ON A RESTRICTED BASIS AND IS NOT TO BE USED IN ANY WAY DETRIMENTAL TO THE INTERESTS OF PANDUIT CORP.

PANDUIT P/N	WEIGHT
CMSVC**Y	.40 LB/10 PCS (181.3 g/10 PCS)



NOTES:

- SEE CURRENT CATALOG FOR ADDITIONAL PART NUMBER SUFFIXES TO INDICATE COLOR AND OR PACKAGE QUANTITY.
- SEE CATALOG FOR COMPLETE LIST OF PARTS APPLICABLE FOR USE WITH THIS PART.
- DIMENSIONS IN [] ARE IN METRIC.
- PART INCLUDES:
1- MODULE BASE
1- S-VIDEO COUPLER (ASSEMBLED TO MODULE BASE)



PART NUMBER		CMSVC**Y	
TITLE			
MINI-COM S-VIDEO COUPLER MODULE			
CUSTOMER DRAWING			
ITEM REVISION NAME		M02479HC/01	
DATASET FILE NAME		M02479HC_DC187/00A	
UNLESS OTHERWISE SPECIFIED, DIMENSIONAL TOLERANCES ARE: IN [mm]		MATERIAL:	
.x ± .xxx ± .010 [.3]		MODULE: ABS	
.xx ± .03 [.8]		COUPLER: NICKEL PLATED	
ANGLES ±		DRAWING NUMBER:	
		02479-187	
DRAWN BY	DATE	CHK	SCALE
JSP	3-18-06	MJD	NONE
SHT 1 OF 1			SIZE
			A

REV	DATE	BY	CHK	APR	DESCRIPTION	ECN
1	5/6/14	JSP	REFR	MMR	A. REVISED DRAWING TITLE BLOCK.	02479-187
R	3-18-06	JSP	MJD	MJD	RELEASED TO PRODUCTION	02479-187

D10100DA/14

2

1

2

1