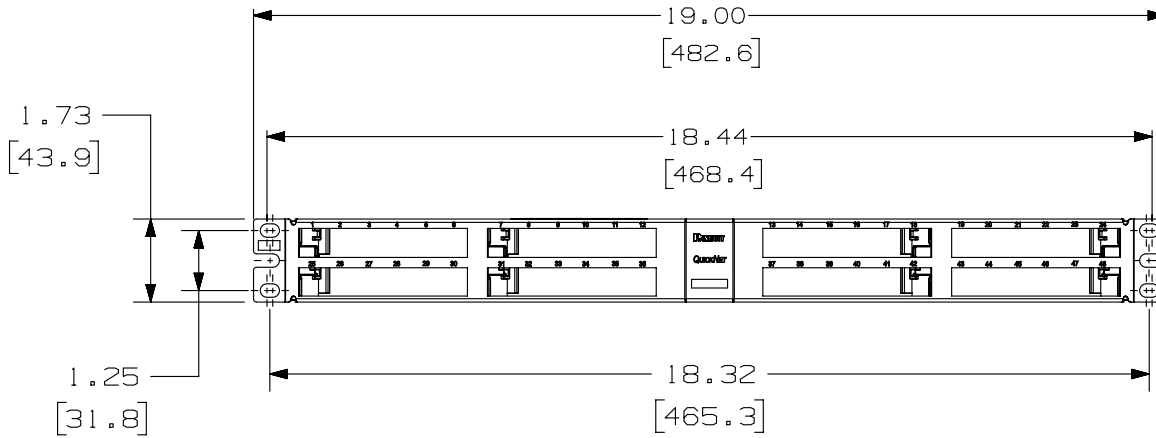
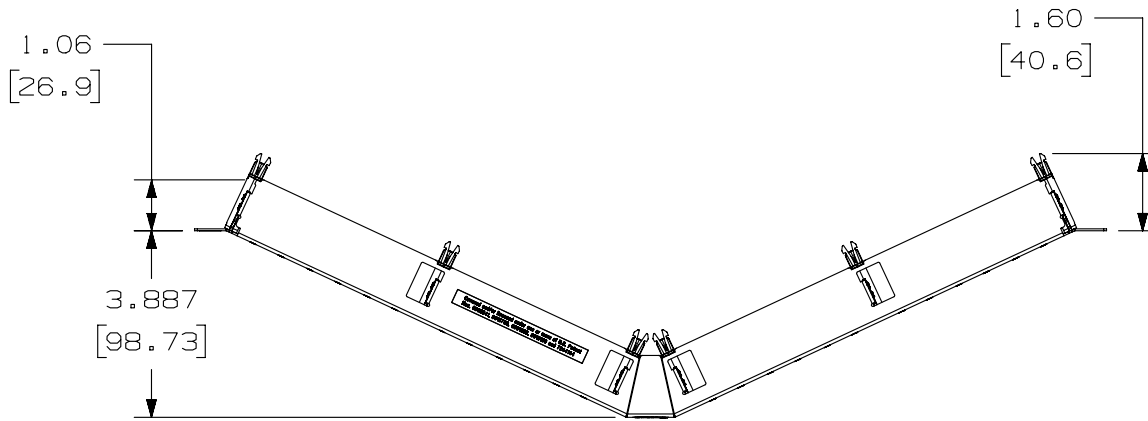


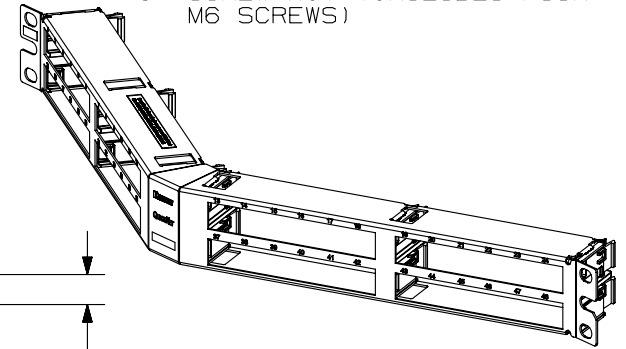
THIS COPY IS PROVIDED ON A RESTRICTED BASIS AND IS NOT TO BE USED IN ANY WAY DETRIMENTAL TO THE INTERESTS OF PANDUIT CORP.



PANDUIT PART NO.	WEIGHT (APPOX.)
QAPP48HDBL	0.65 lb (294.8 g)

NOTES:

1. SEE CURRENT CATALOG FOR VARIOUS APPLICATIONS.
2. THE PATCH PANEL IS DESIGNED FOR MOUNTING TO 19" UNIVERSAL RACKS.
3. DIMENSIONS IN BRACKETS ARE IN METRIC.
4. PART INCLUDES:
  - 1- METAL STAMPING WITH SLIDE GUIDES
  - 1- SCREW KIT (INCLUDES FOUR #12-24 SCREWS)
  - 1- SCREW KIT (INCLUDES FOUR M6 SCREWS)



.62  
[15.9]

PART NUMBER		QAPP48HDBL	
TITLE			
QUICKNET 48 PORT ANGLED PATCH		PANEL	
CUSTOMER DRAWING			
ITEM REVISION NAME		M02582BS/10	
DATASET FILE NAME		M02582BS_DC20/010A	
UNLESS OTHERWISE SPECIFIED, DIMENSIONAL TOLERANCES ARE: IN [mm]		MATERIAL:	
.x ± .xxx ± .010 [ .3 ]		PANEL CRS	
.xx ± .03 [ .8 ]		GUIDES ABS	
ANGLES ±		DRAWING NUMBER:	
		02582-20	
DRAWN BY	DATE	CHK	SCALE
MDjr	9-01-06	WFMI	NONE
SHT 1 OF 1		SIZE	
A		A	

REV	DATE	BY	CHK	APR	DESCRIPTION	ECN
2	5/23/14	JSP	REFR	TMBA	REVISED AND REDRAWN, PREVIOUS REVISIONS HAVE BEEN OMITTED.	02582-20

D10100DA/14

2

1

2

1